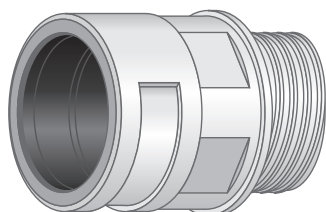


# Raccordi Flex Line per guaine corrugate

## Flex Line fittings for corrugated tubing

Tubing, Mechanical Protection



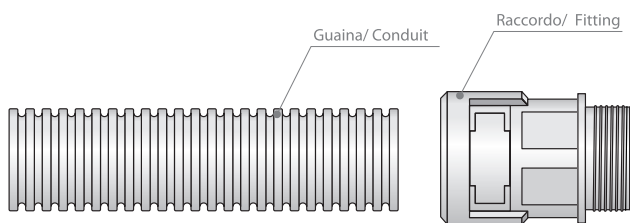
CAUS

CE RoHS

### Impiego - Use

Raccordi realizzati con innesto conico che ne garantisce la tenuta IP66; sono dotati di un sistema di bloccaggio ad innesto rapido che facilita l'installazione, garantendone nel contempo un'ottima resistenza allo sgancio grazie alle clip di tenuta integrate. Possono essere disassemblati a mezzo di cacciavite. Hanno inoltre ottima resistenza agli olii ed ai prodotti chimici.

*Fittings for plastic corrugated tubing made with a cone coupling granting IP66 sealing, they are provided with a fast-coupling locking system for an easier installation, granting, at the same time, a very good resistance to release thanks to the integrated clips. These fittings can be re-open with screwdriver. These fittings are resistant to oils and chemical products.*



### Dati Tecnici - Technical data

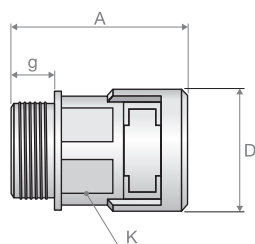
Caratteristica - Characteristics	Valore/proprietà - Value/property
Costruzione <i>Construction</i>	Raccordi costituiti da corpo unico con clips di tenuta <i>Fittings made of a single body with retaining clips</i>
Materiale <i>Material</i>	Poliammide 6 <i>Polyamide 6</i>
Temperatura massima di esercizio <i>Maximum working temperature</i>	+105°C con punte discontinue fino a +160°C <i>+105°C intermittent up to +160°C</i>
Temperatura minima di esercizio <i>Minimum working temperature</i>	-40°C
Grado di protezione <i>Protection class</i>	IP 66
Halogen-free	Sì/Yes
Non propagante la fiamma <i>Flame retardant</i>	V0 (UL 94)
Colore <i>Color</i>	Nero, Grigio* <i>Black, Gray*</i>
Guaine compatibili <i>Compatible tubing</i>	EC Line, Base Line, Flex Line
Riferimenti normativi costruttivi <i>Standards of construction</i>	ISO 527, ISO 180/1C, UL 94, EN 61386, EN 60529

\* Colore solo su specifica richiesta e per quantitativo minimo applicabile.

\* Color available upon request and with minimum applicable quantities.

### Codifiche e dimensioni - Coding and dimensions

#### Raccordo diritto maschio - Straight male fitting



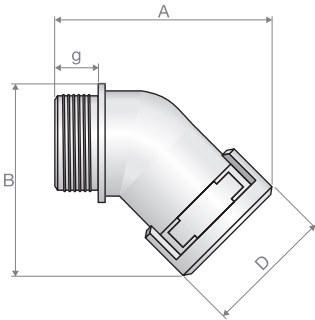
Codice <i>Code</i>	Versione <i>Version</i>	Filetto <i>Thread</i>	Dimensione guaina <i>Conduit size</i> NW	Dimensioni - <i>Dimensions</i> [mm]				Confezione <i>Packaging</i> [pz]
				g	D	A	K	
PM□VND-M12MGT.100	ISO	M12x1,5	7	11,0	20,0	34,5	14	100
PM□VND-M120GT.100	ISO	M12x1,5	10	11,0	20,0	36,5	17	100
PM□VND-M160GT.100	ISO	M16x1,5	10	11,0	23,0	36,5	17	100
PM□VND-M162GT.100	ISO	M16x1,5	12	11,0	23,5	39,5	20	100
PM□VND-M200GT.100	ISO	M20x1,5	10	11,0	26,0	36,5	17	100
PM□VND-M202GT.100	ISO	M20x1,5	12	11,0	26,0	39,5	20	100
PM□VND-M207GT.100	ISO	M20x1,5	17	11,0	29,5	47,5	26	100
PM□VND-M203GT.50	ISO	M20x1,5	23	11,0	37,0	51,0	32	50
PM□VND-M257GT.100	ISO	M25x1,5	17	12,0	32,0	48,5	26	100
PM□VND-M253GT.50	ISO	M25x1,5	23	12,0	37,0	52,0	32	50

# Guaine flessibili - Flexible tubing and conduits

Codice Code	Versione Version	Filetto Thread	Dimensione guaina Conduit size NW	Dimensioni - Dimensions [mm]				Confezione Packaging [pz]
				g	D	A	K	
PM□VND-M323GT.50	ISO	M32x1,5	23	15,0	43,0	55,5	32	50
PM□VND-M329GT.30	ISO	M32x1,5	29	15,0	44,0	56,0	40	30
PM□VND-M409GT.30	ISO	M40x1,5	29	19,0	49,0	60,0	40	30
PM□VND-M406GT.20	ISO	M40x1	36	19,0	55,0	72,5	50	20
PM□VND-M506GT.20	ISO	M50x1,5	36	19,0	59,0	72,0	50	20
PM□VND-M508GT.10	ISO	M50x1,5	48	19,0	69,0	72,5	65	10
PM□VND-M638GT.10	ISO	M63x1,5	48	19,0	75,0	72,0	65	10
PM□VND-G00MGT.100	GAS	1/4"	7	11,0	20,0	34,5	14	100
PM□VND-G000GT.100	GAS	1/4"	10	11,0	20,0	36,5	17	100
PM□VND-G010GT.100	GAS	3/8"	10	11,0	23,0	36,5	17	100
PM□VND-G012GT.100	GAS	3/8"	12	11,0	23,5	39,0	20	100
PM□VND-G022GT.100	GAS	1/2"	12	13,0	26,0	41,0	20	100
PM□VND-G027GT.100	GAS	1/2"	17	13,0	29,5	49,5	26	100
PM□VND-G043GT.50	GAS	3/4"	23	14,0	37,0	54,0	32	50
PM□VND-G069GT.30	GAS	1"	29	15,0	44,0	56,0	40	30
PM□VND-G076GT.20	GAS	1" 1/4	36	18,0	55,0	71,0	50	20
PM□VND-G088GT.10	GAS	1" 1/2	48	18,0	69,0	71,5	65	10
PM□VND-G098GT.10	GAS	2"	48	18,0	69,0	71,5	65	10
PM□VND-P07MGT-11.100	PG	7	7	11,0	16,5	34,5	14	100
PM□VND-P070GT-11.100	PG	7	10	11,0	20,0	36,5	17	100
PM□VND-P072GT-11.100	PG	7	12	11,0	23,5	39,0	20	100
PM□VND-P09MGT-11.100	PG	9	7	11,0	20,0	34,5	14	100
PM□VND-P090GT-11.100	PG	9	10	11,0	20,0	36,5	17	100
PM□VND-P092GT-11.100	PG	9	12	11,0	23,5	39,0	20	100
PM□VND-P097GT-11.100	PG	9	17	11,0	29,5	47,5	26	100
PM□VND-P11MGT-11.100	PG	11	7	11,0	23,0	34,5	14	100
PM□VND-P110GT-11.100	PG	11	10	11,0	23,0	36,5	17	100
PM□VND-P112GT-11.100	PG	11	12	11,0	23,5	39,0	20	100
PM□VND-P117GT-11.100	PG	11	17	11,0	29,5	47,5	26	100
PM□VND-P13MGT-11.100	PG	13,5	7	11,0	26,0	34,5	14	100
PM□VND-P130GT-11.100	PG	13,5	10	11,0	26,0	36,5	17	100
PM□VND-P132GT-11.100	PG	13,5	12	11,0	26,0	39,0	20	100
PM□VND-P137GT-11.100	PG	13,5	17	11,0	29,5	47,5	26	100
PM□VND-P160GT-11.100	PG	16	10	11,0	29,5	36,5	17	100
PM□VND-P162GT-11.100	PG	16	12	11,0	27,5	39,0	20	100
PM□VND-P163GT-11.50	PG	16	23	11,0	37,0	51,0	32	50
PM□VND-P167GT-11.100	PG	16	17	11,0	29,5	47,5	26	100
PM□VND-P213GT.50	PG	21	23	12,0	37,0	52,0	32	50
PM□VND-P296GT.20	PG	29	36	12,0	54,0	67,5	50	20
PM□VND-P299GT.30	PG	29	29	12,0	44,0	53,0	40	30
PM□VND-P366GT.20	PG	36	36	13,0	55,0	66,0	50	20
PM□VND-P368GT.10	PG	36	48	13,0	69,0	68,5	65	10
PM□VND-P428GT.10	PG	42	48	13,0	69,0	68,5	65	10
PM□VND-P488GT.10	PG	48	48	13,0	69,0	66,5	65	10
PM□VND-N0201GT.100	NPT	1/2"	01	13,0	28,0	48,5	25	100
PM□VND-N0202GT.100	NPT	1/2"	02	13,0	30,0	49,0	27	100
PM□VND-N022GT.100	NPT	1/2"	12	13,0	26,0	41,5	20	100

Codice Code	Versione Version	Filetto Thread	Dimensione guaina Conduit size NW	Dimensioni - Dimensions [mm]				Confezione Packaging [pz]
				g	D	A	K	
PM□VND-N027GT.100	NPT	1/2"	17	13,0	29,5	49,5	26	100
PM□VND-N043GT.30	NPT	3/4"	23	14,0	37,0	54,0	32	30
PM□VND-N069GT.20	NPT	1"	29	15,0	44,0	56,0	40	20
PM□VND-N076GT.20	NPT	1" 1/4	36	18,0	55,0	71,0	50	20
PM□VND-N088GT.10	NPT	1" 1/2	48	18,0	69,0	71,5	65	10
PM□VND-N098GT.10	NPT	2"	48	18,0	69,0	71,5	65	10

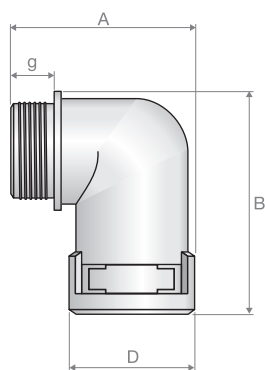
### Raccordo maschio 45° - 45° male fitting



Codice Code	Versione Version	Filetto Thread	Dimensione guaina Conduit size NW	Dimensioni - Dimensions [mm]				Confezione Packaging [pz]
				g	D	A	B	
PM□VAD-M120GT.50	ISO	M12x1.5	10	11.0	20.0	43.5	37.0	50
PM□VAD-M160GT.50	ISO	M16x1.5	10	11.0	20.0	43.5	38.0	50
PM□VAD-M162GT.50	ISO	M16x1.5	12	11.0	24.0	48.0	40.0	50
PM□VAD-M202GT.50	ISO	M20x1.5	12	11.0	24.0	48.0	41.5	50
PM□VAD-M207GT.50	ISO	M20x1.5	17	11.0	30.0	55.5	51.5	50
PM□VAD-M253GT.30	ISO	M25x1.5	23	12.0	37.0	65.0	58.5	30
PM□VAD-M329GT.20	ISO	M32x1.5	29	15.0	44.0	73.5	66.5	20
PM□VAD-M406GT.20	ISO	M40x1.5	36	19.0	53.0	92.5	85.5	20
PM□VAD-M506GT.20	ISO	M50x1.5	36	19.0	53.0	92.5	89.5	20
PM□VAD-MS08GT.10	ISO	M50x1.5	48	19.0	65.0	100.0	96.0	10
PM□VAD-M638GT.10	ISO	M63x1.5	48	19.0	65.0	100.0	104.0	10
PM□VAD-G000GT.50	GAS	1/4"	10	11.0	20.0	43.5	37.0	50
PM□VAD-G012GT.50	GAS	3/8"	12	11.0	24.0	48.0	40.0	50
PM□VAD-G027GT.50	GAS	1/2"	17	13.0	30.0	57.5	51.5	50
PM□VAD-G043GT.30	GAS	3/4"	23	14.0	37.0	67.0	60.0	30
PM□VAD-G069GT.20	GAS	1"	29	15.0	44.0	73.5	67.0	20
PM□VAD-G076GT.20	GAS	1" 1/4"	36	18.0	53.0	91.5	85.5	20
PM□VAD-G088GT.10	GAS	1" 1/2"	48	18.0	65.0	99.0	96.0	10
PM□VAD-G098GT.10	GAS	2"	48	18.0	65.0	99.0	101.0	10
PM□VAD-P090GT.50	PG	9	10	11.0	20.0	43.5	37.0	50
PM□VAD-P112GT.50	PG	11	12	11.0	24.0	48.0	40.0	50
PM□VAD-P132GT.50	PG	13.5	12	11.0	24.0	48.0	41.5	50
PM□VAD-P137GT.50	PG	13.5	17	11.0	30.0	55.5	51.5	50
PM□VAD-P167GT.50	PG	16	17	11.0	30.0	55.5	51.5	50
PM□VAD-P213GT.30	PG	21	23	11.0	37.0	63.0	58.0	30
PM□VAD-P299GT.20	PG	29	29	12.0	44.0	69.0	66.0	20
PM□VAD-P366GT.20	PG	36	36	13.0	53.0	86.0	86.0	20
PM□VAD-P488GT.10	PG	48	48	13.0	65.0	94.0	100.0	10

Codice Code	Versione Version	Filetto Thread	Dimensione guaina Conduit size NW	Dimensioni - Dimensions [mm]				Confezione Packaging [pz]
				g	D	A	B	
PM□VAD-N022GT.50	NPT	1/2"	12	13.0	24.0	50.0	41.5	50
PM□VAD-N027GT.50	NPT	1/2"	17	13.0	30.0	57.5	51.5	50
PM□VAD-N043GT.30	NPT	3/4"	23	14.0	37.0	67.0	60.0	30
PM□VAD-N069GT.20	NPT	1"	29	15.0	44.0	73.5	67.0	20
PM□VAD-N076GT.20	NPT	1" 1/4	36	18.0	53.0	91.5	85.5	20
PM□VAD-N088GT.10	NPT	1" 1/2	48	18.0	65.0	99.0	96.0	10
PM□VAD-N098GT.10	NPT	2"	48	18.0	65.0	99.0	101.0	10

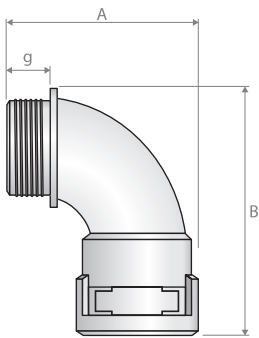
## Raccordo maschio 90° - 90° male fitting



Codice Code	Versione Version	Filetto Thread	Dimensione guaina Conduit size NW	Dimensioni - Dimensions [mm]				Confezione Packaging [pz]
				g	D	A	B	
PM□VWD-M12MGT.100	ISO	M12x1,5	7	11,0	16,5	32,0	35,0	100
PM□VWD-M120GT.50	ISO	M12x1,5	10	11,0	20,0	34,0	39,5	50
PM□VWD-M160GT.50	ISO	M16x1,5	10	11,0	22,0	34,0	40,5	50
PM□VWD-M162GT.50	ISO	M16x1,5	12	11,0	23,5	38,5	46,0	50
PM□VWD-M200GT.50	ISO	M20x1,5	10	11,0	26,0	34,0	42,5	50
PM□VWD-M202GT.50	ISO	M20x1,5	12	11,0	26,0	38,5	47,5	50
PM□VWD-M207GT.50	ISO	M20x1,5	17	11,0	29,5	43,5	58,5	50
PM□VWD-M253GT.30	ISO	M25x1,5	23	12,0	37,0	54,0	65,0	30
PM□VWD-M329GT.20	ISO	M32x1,5	29	15,0	44,0	64,5	73,0	20
PM□VWD-M406GT.20	ISO	M40x1,5	36	19,0	53,5	78,0	96,0	20
PM□VWD-M508GT.10	ISO	M50x1,5	48	19,0	66,0	91,5	106,0	10
PM□VWD-G00MGT.50	GAS	1/4"	7	11,0	16,5	32,0	36,5	50
PM□VWD-G000GT.50	GAS	1/4"	10	11,0	20,0	34,0	39,5	50
PM□VWD-G012GT.50	GAS	3/8"	12	11,0	23,5	38,5	46,0	50
PM□VWD-G022GT.50	GAS	1/2"	12	13,0	26,0	40,5	47,5	50
PM□VWD-G027GT.50	GAS	1/2"	17	13,0	29,5	45,5	58,5	50
PM□VWD-0043GT.30	GAS	3/4"	23	14,0	37,0	56,0	66,5	30
PM□VWD-G069GT.20	GAS	1"	29	15,0	44,0	64,5	73,5	20
PM□VWD-G076GT.20	GAS	1" 1/4	36	18,0	53,5	77,0	96,0	20
PM□VWD-G088GT.10	GAS	1" 1/2	48	18,0	66,0	90,5	106,0	10
PM□VWD-G098GT.10	GAS	2"	48	18,0	69,0	90,5	111,0	10
PM□VWD-P07MGT-11.100	PG	7	7	11,0	16,5	32,0	35,0	100
PM□VWD-P070GT-11.50	PG	7	10	11,0	20,0	34,0	39,5	50
PM□VWD-P072GT-11.50	PG	7	12	11,0	23,5	38,5	44,5	50
PM□VWD-P09MGT-11.100	PG	9	7	11,0	20,0	32,0	36,5	100
PM□VWD-P090GT-11.50	PG	9	10	11,0	20,0	34,0	39,5	50
PM□VWD-P092GT-11.50	PG	9	12	11,0	23,5	38,5	44,5	50

Codice Code	Versione Version	Filetto Thread	Dimensione guaina Conduit size NW	Dimensioni - Dimensions [mm]				Confezione Packaging [pz]
				g	D	A	B	
PM□VWD-P11MGT-11.100	PG	11	7	11,0	23,0	32,0	38,0	100
PM□VWD-P110GT-11.50	PG	11	10	11,0	23,0	34,0	41,0	50
PM□VWD-P112GT-11.50	PG	11	12	11,0	23,5	38,5	46,0	50
PM□VWD-P13MGT-11.50	PG	13,5	7	11,0	26,0	32,0	39,5	50
PM□VWD-P130GT-11.50	PG	13,5	10	11,0	26,0	34,0	42,5	50
PM□VWD-P132GT-11.50	PG	13,5	12	11,0	26,0	38,5	47,5	50
PM□VWD-P137GT-11.50	PG	13,5	17	11,0	29,5	43,5	58,5	50
PM□VWD-P167GT-11.50	PG	16	17	11,0	29,5	43,5	58,5	50
PM□VWD-P213GT.30	PG	21	23	12,0	37,0	54,0	67,0	30
PM□VWD-P299GT.20	PG	29	29	12,0	44,0	61,5	74,5	20
PM□VWD-P366GT.20	PG	36	36	13,0	53,5	72,0	98,0	20
PM□VWD-P488GT.10	PG	48	48	13,0	69,0	85,5	111,0	10
PM□VWD-N022GT.50	NPT	1/2"	12	13,0	26,0	40,5	47,5	50
PM□VWD-N027GT.50	NPT	1/2"	17	13,0	29,5	45,5	58,5	50
PM□VWD-N043GT.30	NPT	3/4"	23	14,0	37,0	56,0	66,5	30
PM□VWD-N069GT.20	NPT	1"	29	15,0	44,0	64,5	73,5	20
PM□VWD-N076GT.20	NPT	1" 1/4	36	18,0	53,5	77,0	96,0	20
PM□VWD-N088GT.10	NPT	1" 1/2	48	18,0	66,0	90,5	106,0	10
PM□VWD-N098GT.10	NPT	2"	48	18,0	69,0	90,5	111,0	10

### Raccordo curva maschio 90° - 90° curved male fitting



Codice Code	Versione Version	Filetto Thread	Dimensione guaina Conduit size NW	Dimensioni - Dimensions [mm]			Confezione Packaging [pz]
				g	A	B	
PM□VBD-M207GT.50	ISO	M20x1,5	17	11,0	47,5	73,0	50
PM□VBD-M257GT.50	ISO	M25x1,5	17	12,0	48,5	76,0	50
PM□VBD-M253GT.30	ISO	M25x1,5	23	12,0	57,5	83,0	30
PM□VBD-M323GT.30	ISO	M32x1,5	23	15,0	61,0	87,5	30
PM□VBD-M329GT.20	ISO	M32x1,5	29	15,0	70,5	93,0	20
PM□VBD-M409GT.20	ISO	M40x1,5	29	19,0	74,5	98,5	20
PM□VBD-M406GT.20	ISO	M40x1,5	36	19,0	85,0	121,0	20
PM□VBD-M506GT.20	ISO	M50x1,5	36	19,0	85,0	125,0	20
PM□VBD-M508GT.10	ISO	M50x1,5	48	19,0	98,5	130,0	10
PM□VBD-M638GT.10	ISO	M63x1,5	48	19,0	98,5	138,0	10
PM□VBD-P167GT.50	PG	16	17	11,0	47,5	73,0	50
PM□VBD-P213GT.30	PG	21	23	12,0	57,5	85,0	30
PM□VBD-P299GT.20	PG	29	29	12,0	67,5	96,0	20
PM□VBD-P366GT.20	PG	36	36	13,0	79,0	123,0	20
PM□VBD-P488GT.10	PG	48	48	13,0	92,5	135,0	10

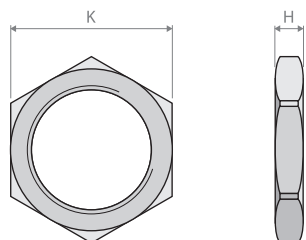
## Composizione del codice - Code composition

PM	□	□□□	_	□□□	□	GT	□□□	.	□□ ... □	Confezione Packaging	Inserire To be inserted												
										1, 2, ...	1, 2, ...												
<table border="1"> <thead> <tr> <th>Colore Color</th> <th>Inserire To be inserted</th> </tr> </thead> <tbody> <tr> <td>Nero Black</td> <td>B</td> </tr> <tr> <td>Grigio* Gray*</td> <td>S</td> </tr> </tbody> </table>		Colore Color	Inserire To be inserted	Nero Black	B	Grigio* Gray*	S			<table border="1"> <thead> <tr> <th>Informazioni sul filetto Thread information</th> <th>Inserire To be inserted</th> </tr> </thead> <tbody> <tr> <td>Lunghezza del filetto 11 mm per raccordi PG 7 fino a PG 16 Thread length 11 mm for PG 7 up to PG 16 fitting size</td> <td>-11</td> </tr> </tbody> </table>		Informazioni sul filetto Thread information	Inserire To be inserted	Lunghezza del filetto 11 mm per raccordi PG 7 fino a PG 16 Thread length 11 mm for PG 7 up to PG 16 fitting size	-11	<table border="1"> <thead> <tr> <th>Dimensioni nominali Nominal size</th> <th>Inserire To be inserted</th> </tr> </thead> <tbody> <tr> <td>7, 10, 12, 17, 23, 29, 36, 48</td> <td>M, 0, 2, 7, 3, 9, 6, 8</td> </tr> </tbody> </table>		Dimensioni nominali Nominal size	Inserire To be inserted	7, 10, 12, 17, 23, 29, 36, 48	M, 0, 2, 7, 3, 9, 6, 8		
Colore Color	Inserire To be inserted																						
Nero Black	B																						
Grigio* Gray*	S																						
Informazioni sul filetto Thread information	Inserire To be inserted																						
Lunghezza del filetto 11 mm per raccordi PG 7 fino a PG 16 Thread length 11 mm for PG 7 up to PG 16 fitting size	-11																						
Dimensioni nominali Nominal size	Inserire To be inserted																						
7, 10, 12, 17, 23, 29, 36, 48	M, 0, 2, 7, 3, 9, 6, 8																						
<table border="1"> <thead> <tr> <th>Versione Version</th> <th>Inserire To be inserted</th> </tr> </thead> <tbody> <tr> <td>Raccordo diritto maschio Straight male fitting</td> <td>VND</td> </tr> <tr> <td>Raccordo maschio 45° 45° male fitting</td> <td>VAD</td> </tr> <tr> <td>Raccordo maschio 90° 90° male fitting</td> <td>VWD</td> </tr> <tr> <td>Raccordo curva maschio 90° 90° curved male fitting</td> <td>VBD</td> </tr> </tbody> </table>		Versione Version	Inserire To be inserted	Raccordo diritto maschio Straight male fitting	VND	Raccordo maschio 45° 45° male fitting	VAD	Raccordo maschio 90° 90° male fitting	VWD	Raccordo curva maschio 90° 90° curved male fitting	VBD	<table border="1"> <thead> <tr> <th>Filetto Thread</th> <th>Inserire To be inserted</th> </tr> </thead> <tbody> <tr> <td>M12, M16, ..., M63</td> <td>M12, M16, ..., M63</td> </tr> <tr> <td>GAS 1/4", 1/2", 3/4", 1", 1" 1/4, 1" 1/2, 2"</td> <td>G00, G02, G04, G06, G07, G08, G09</td> </tr> <tr> <td>PG 7, PG 9, ..., PG 48</td> <td>P07, P09, ..., P48</td> </tr> <tr> <td>NPT 1/2", 3/4", 1", 1" 1/4, 1" 1/2, 2"</td> <td>N02, N04, N06, N07, N08, N09</td> </tr> </tbody> </table>		Filetto Thread	Inserire To be inserted	M12, M16, ..., M63	M12, M16, ..., M63	GAS 1/4", 1/2", 3/4", 1", 1" 1/4, 1" 1/2, 2"	G00, G02, G04, G06, G07, G08, G09	PG 7, PG 9, ..., PG 48	P07, P09, ..., P48	NPT 1/2", 3/4", 1", 1" 1/4, 1" 1/2, 2"	N02, N04, N06, N07, N08, N09
Versione Version	Inserire To be inserted																						
Raccordo diritto maschio Straight male fitting	VND																						
Raccordo maschio 45° 45° male fitting	VAD																						
Raccordo maschio 90° 90° male fitting	VWD																						
Raccordo curva maschio 90° 90° curved male fitting	VBD																						
Filetto Thread	Inserire To be inserted																						
M12, M16, ..., M63	M12, M16, ..., M63																						
GAS 1/4", 1/2", 3/4", 1", 1" 1/4, 1" 1/2, 2"	G00, G02, G04, G06, G07, G08, G09																						
PG 7, PG 9, ..., PG 48	P07, P09, ..., P48																						
NPT 1/2", 3/4", 1", 1" 1/4, 1" 1/2, 2"	N02, N04, N06, N07, N08, N09																						

\* Colore solo su specifica richiesta e per quantitativo minimo applicabile.

\* Color available upon request and with minimum applicable quantities.

## Ghiera esagonale - Lock nut



Codice Code	Versione Version	Filetto Thread	Dimensioni - Dimensions [mm]		Confezione Packaging [pz]
			K	H	
PM□MN-M12.100	ISO	M12x1,5	18	5,0	100
PM□MN-M16.100	ISO	M16x1,5	22	5,0	100
PM□MN-M20.100	ISO	M20x1,5	26	6,0	100
PM□MN-M25.100	ISO	M25x1,5	32	6,0	100
PM□MN-M32.100	ISO	M32x1,5	41	7,0	100
PM□MN-M40.50	ISO	M40x1,5	50	7,0	50
PM□MN-M50.50	ISO	M50x1,5	60	8,0	50
PM□MN-M63.50	ISO	M63x1,5	75	8,0	50
PM□MN-07.100	PG	7	19	5,0	100
PM□MN-09.100	PG	9	22	5,0	100
PM□MN-11.100	PG	11	24	5,3	100
PM□MN-13.100	PG	13,5	27	6,3	100
PM□MN-16.100	PG	16	30	6,3	100
PM□MN-21.100	PG	21	36	7,0	100
PM□MN-29.50	PG	29	46	7,0	50

Codice Code	Versione Version	Filetto Thread	Dimensioni - Dimensions [mm]		Confezione Packaging [pz]
			K	H	
PM□MN-36.25	PG	36	60	8,0	25
PM□MN-48.25	PG	48	70	8,0	25
PM□MN-N02.100	NPT	1/2"	27	6,0	100
PM□MN-N04.50	NPT	3/4"	34	7,0	50
PM□MN-N06.50	NPT	1"	40	7,0	50
PM□MN-N07.20	NPT	1" 1/4	50	8,0	20
PM□MN-N08.25	NPT	1" 1/2	57	8,0	25
PM□MN-N09.10	NPT	2"	70	8,5	10

## Composizione del codice - Code composition

PM	□	MN-	□□□	.	□□...□	Confezione Packaging	Inserire To be inserted
						1, 2, ...	1, 2, ...

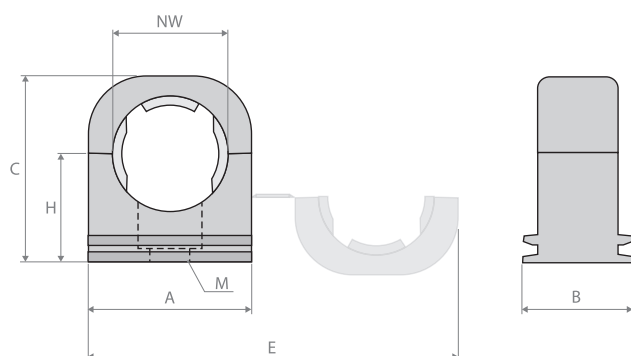
  

Colore Color	Inserire To be inserted
Nero - Black	B
Grigio - Gray	G

Filetto Thread	Inserire To be inserted
M12, M16, ..., M63	M12, M16, ..., M63
PG 7, PG 9, ..., PG 48	07, 09, ..., 48
NPT 1/2", 3/4", 1", 1" 1/4, 1" 1/2, 2"	N02, N04, N06, N07, N08, N09

## Fissaggi per guaine - Conduit supports



Codice Code	Dimensione nominale Nominal Size NW	Diametro nominale Nominal diameter DN [mm]	Dimensioni - Dimensions [mm]					Confezione Packaging [pz]	
			A	B	C	H	E		
PM□FH-07-0.100	07	10	17,0	20,0	21,5	13,5	40,5	M4	100
PM□FH-10-0.100	10	12	20,5	20,0	24,5	15,5	47,5	M5	100
PM□FH-12-0.100	12	16	24,0	20,0	27,0	16,5	54,5	M5	100
PM□FH-17-0.100	17	20	30,0	20,0	34,0	20,0	68,0	M6	100
PM□FH-23-0.100	23	25	38,5	20,0	42,0	24,0	85,0	M6	100
PM□FH-29-0.100	29	32	45,5	20,0	48,0	27,0	99,0	M6	100
PM□FH-36-0.50	36	40	55,5	20,0	56,0	31,0	119,0	M6	50
PM□FH-48-0.50	48	50	67,5	20,0	68,0	37,0	143,0	M6	50

## Composizione del codice - Code composition

PM	□	FH-	□□	-0	.	□□...□	Confezione Packaging	Inserire To be inserted
							1, 2, ...	1, 2, ...

Colore Color	Inserire To be inserted
Nero - Black	B
Grigio - Gray	S

Dimensioni nominali Nominal size	Inserire To be inserted
7, 10, 12, 17, 23, 29, 36, 48	07, 10, 12, 17, 23, 29, 36, 48